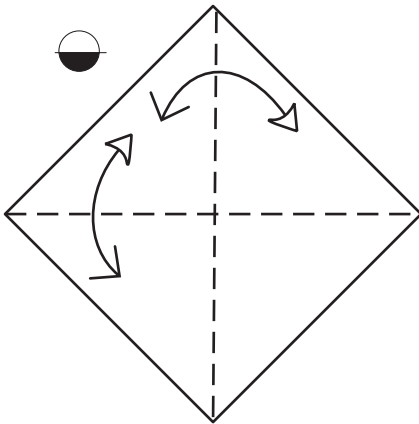
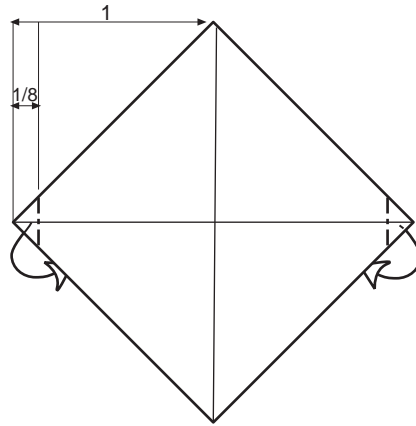


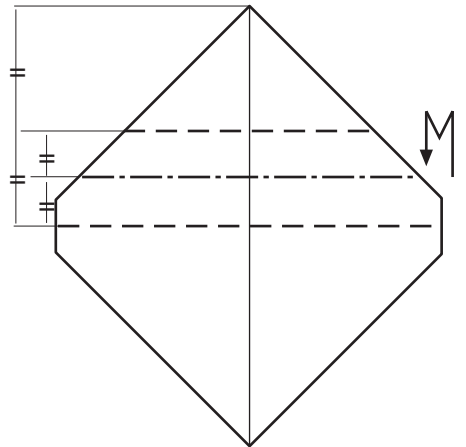
Low Intermediate  
A 15cm (6") square makes a 6.25cm (2.5") high model.



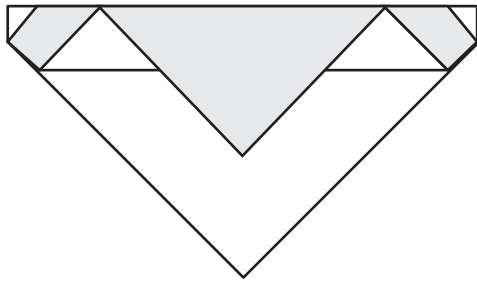
1. Start with a square, white side up. Fold and unfold along the diagonals.



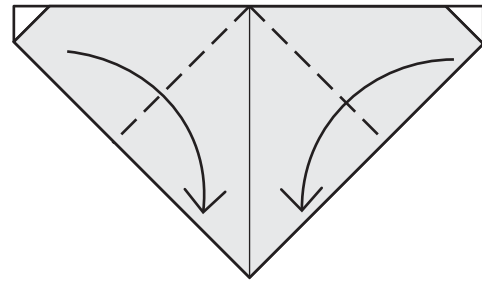
2. Mountain fold the 2 corners.



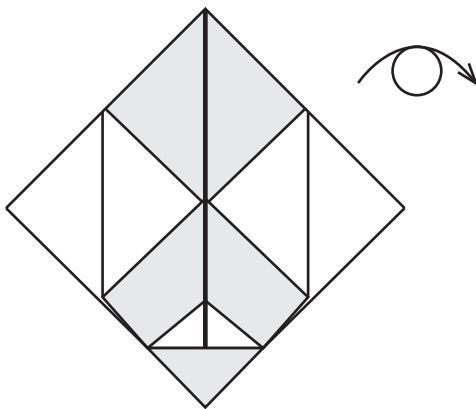
3. Pleat.



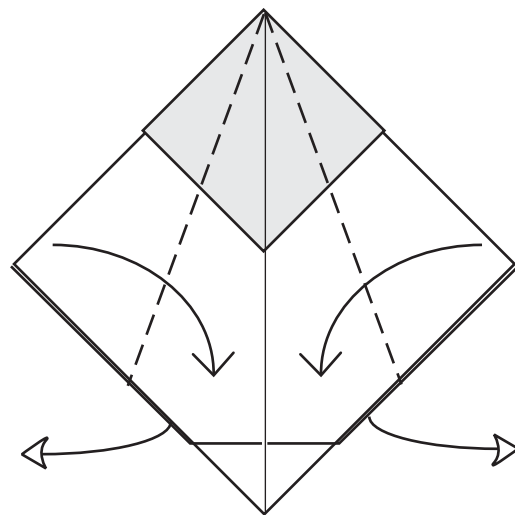
4. Turn over.



5. Valley fold to center.

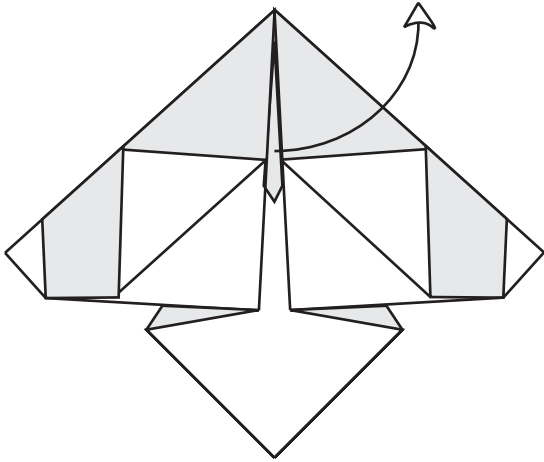


6. Turn over.

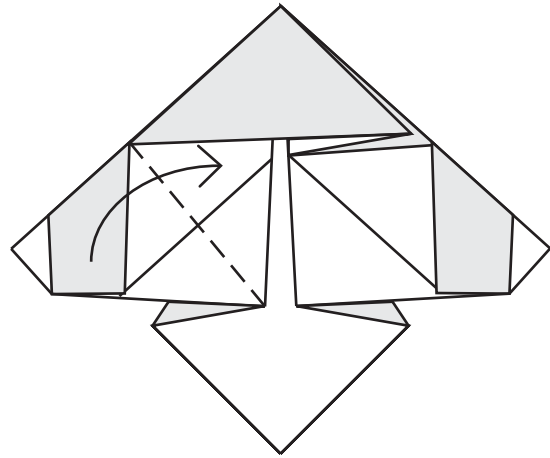


7. Fold to center, allowing back flaps to come to the front.

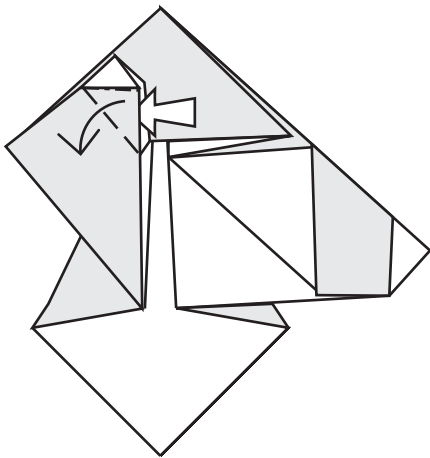
## Mr. Muppet (Page 2)



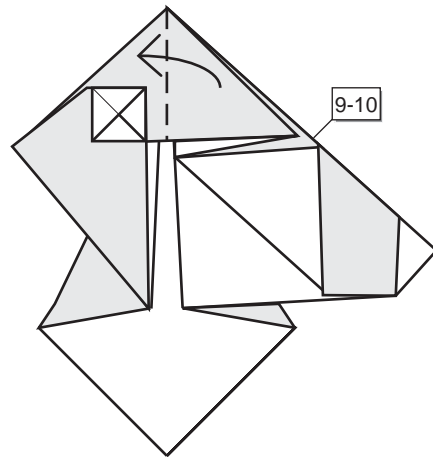
8. Pull out trapped layer.



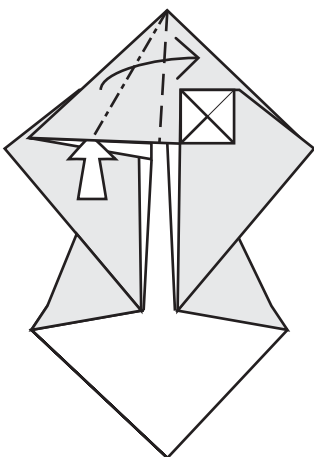
9. Valley fold to center.



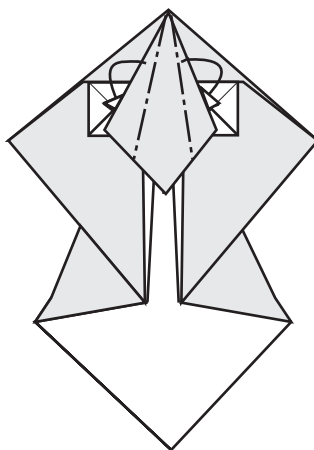
10. Squash fold the corner.



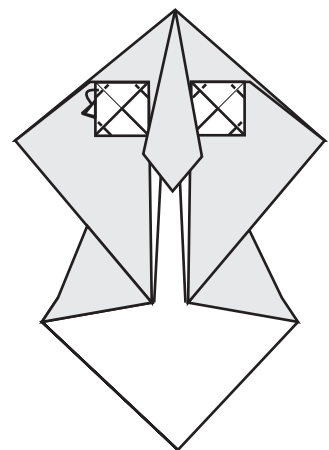
11. Fold flap to the left,  
and repeat steps 9-10  
on the right.



12. Squash fold nose flap.

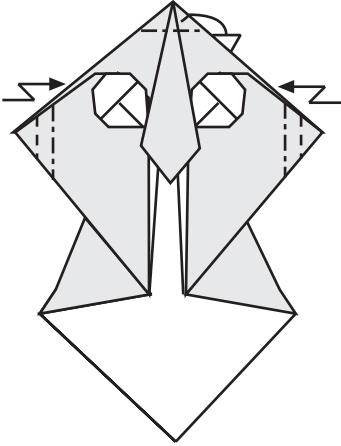


13. Narrow the nose  
with mountain folds.

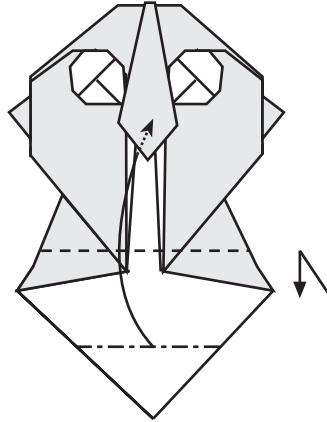


14. Round the eyes  
with mountain folds.

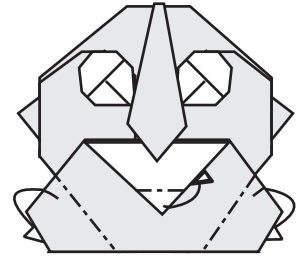
## Mr. Muppet (Page 3)



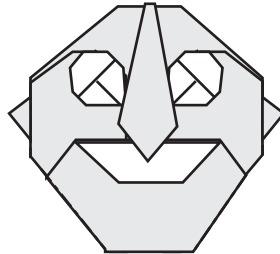
15. Round the head, and pleat the ears.



16. Pleat the bottom flap, tucking the white triangle under the nose.



17. Final Shaping...



18. Mr. Muppet is ready!  
Many variations are possible.

Visit [WWW.GILADORIGAMI.COM](http://WWW.GILADORIGAMI.COM) for more!